

Installation Instructions

Siding Accessories:

General Block & Vent Guidelines	2
Standard & Large Mounting Blocks	
Standard Installation.....	3
Universal Electrical Box.....	4
Split Block	
Installing around a hose-spigot.....	5
Installing around an existing receptacle.....	6
Installing around an AC line	7
4" Hooded Vent	
Standard Application.....	8

Shutters:

General Shutter Guidelines.....	9
Open Louver & Raised Panel Shutter.....	10
Board and Batten Shutter.....	11

General:

Painting Products.....	12
------------------------	----

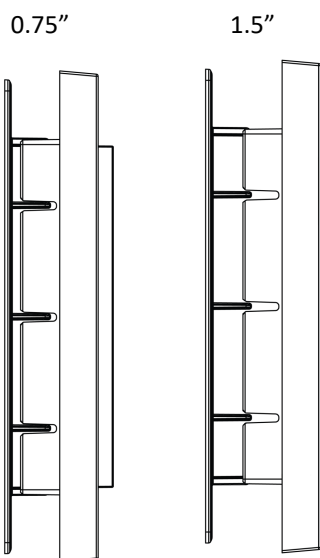
General Block & Vent Guidelines:

General:

- Mounting Blocks & Vents are to be installed over sheathing and house-wrap.
- Use a fastener (nail, screw or staple) that is corrosion resistant per building code. The fastener must penetrate past the sheathing by at least $\frac{3}{4}$ " (example: $\frac{1}{2}$ " sheathing requires a 1.25" fastener or larger).
 - Note: Screws and ring-shank nails provide the best holding power.
- Install the appropriate amount of fasteners to ensure the nailing flange is flush to the mounting surface.
- Electricity should be turned off to electrical outlets prior to installation.
- All exterior receptacles should be GFI or GFCI rated per building code.
- Walls should be plumb prior to installation.
- The contractor is responsible for determining proper methods of water management per the application.

Siding Accepted:

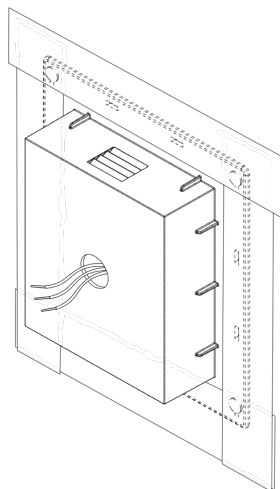
Pontiac Trail Blocks & Vents have a variable pocket depth ranging from 0.75" to 1.5". They can be used on (but not limited to) the following siding types: vinyl, aluminum, fiber cement, engineered wood, and polymer shake & shingle.



Flashing Tape around Mounting Blocks and Vents:

Using flashing tape around the block or vent maximizes water protection and improves energy efficiencies. This is the proper way to help prevent air and water from entering the structure.

- Use butyl tape that is a minimum of 4" wide and install flashing in the following order: bottom, sides, and then top.
- The butyl tape should cover all of the nail slots on the mounting block/ vent.

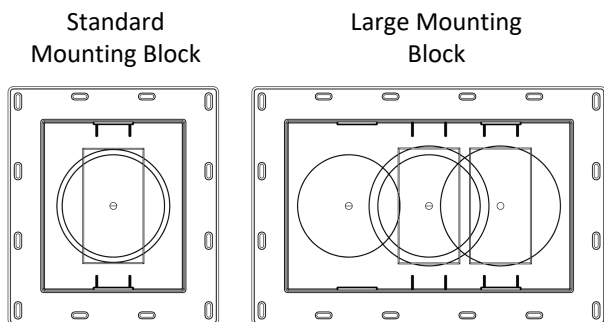


Standard & Large Mounting Blocks:

Mounting blocks consist of a baseplate (the mounting surface) and a snap-ring (for hiding siding cuts). Mounting blocks are a quick and cost-effective way to finish penetrations in the siding.

1. Mounting Block Preparation

- To get ready for installation, figure out what will go on the mounting block and cut along scribe lines or drill holes into the baseplate.
- Put the baseplate close to the wall and feed any wires through the hole in the block's face.
- Put the block against the wall and use a level to make sure it is straight.

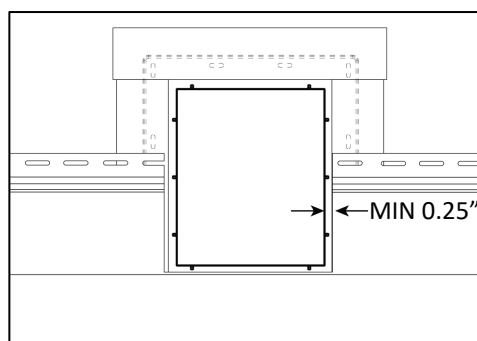


2. Attach mounting block to wall

- Place a fastener (that meets building code) into each of the four corners.
 - 2 fasteners should penetrate into a framing member.
- Larger products require more fasteners. Number of fasteners should be determined by the contractor as required. The maximum distance between fasteners is 8".
- Use flashing tape around perimeter of the block.

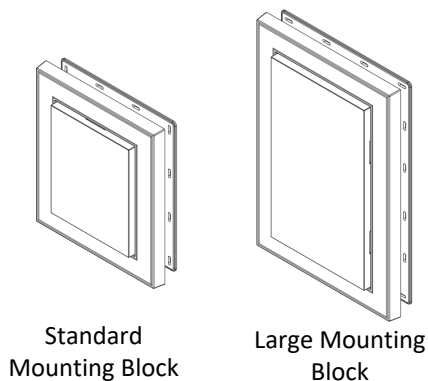
3. Install Siding

- When installing siding around the block leave a minimum of a ¼" gap around the edge of the block (to allow for expansion and contraction of siding).
- Note: Pontiac Trail Mounting blocks have spacer tabs to help ensure siding cuts aren't too close to the block (this allows for faster installation of the snap-ring).



4. Finishing

- Attach the snap-ring by pressing it onto the block until the outside edge of the snap-ring nears the siding.
- Install fixture onto the baseplate mounting surface as needed.



Universal Electrical Box:

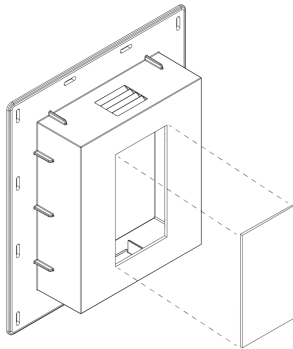
The Pontiac Trail mounting blocks can mount over the Universal Electrical Box. This provides a fast and simple electrical box solution that mounts over the wall substrate.

CAUTION:

The National Electrical Code and all applicable state and local ordinances must be followed while making electrical connections.

1. Mounting Block Preparation

- Remove the mounting block snap-ring from the mounting block base.
- Using a utility knife or saw, cut a rectangular opening into the mounting block using the receptacle box score line.

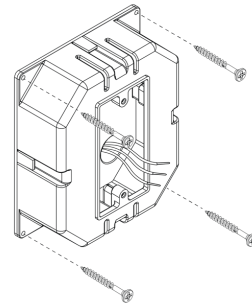


2. Universal Electrical Box Preparation

- Remove appropriate knock-out on the back side of the Universal Electrical Box.
- Electricity should be turned off to the electrical outlet.
- Insert the electrical wires through the knock-out and ensure no sharp edges are touching the electrical wires.

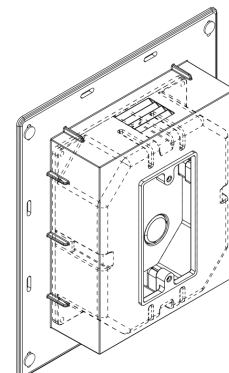
3. Attach Universal Electrical Box to the wall

- Put the Box against the wall and make sure it is level.
- Make sure the box is aligned with the appropriate cutout in the mounting block.
- Attach the box with four appropriate fasteners in each of the corners per the application.
- Fasteners should penetrate the substrate by a minimum of $\frac{3}{4}$ ".



4. Attach Mounting block over Universal Electrical Box

- Position mounting block base over the universal outlet box, and install per the mounting block installation instructions.

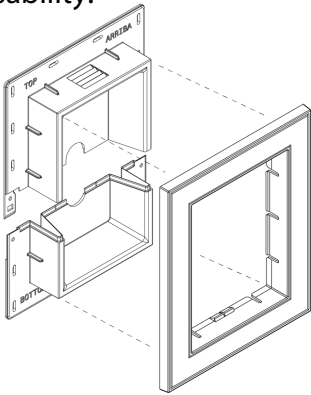


Split Block: Installing around a hose-spigot

The Pontiac Trail split block is designed to finish penetrations between the house and large permanent fixtures such as hose-spigots, electrical boxes, and AC lines. The split block consists a snap-ring and two base pate halves.

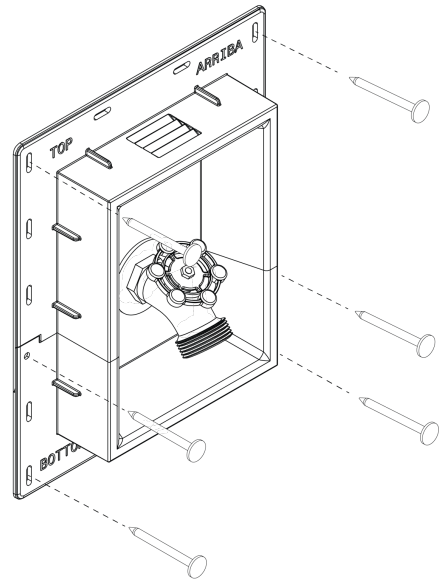
1. Block Preparation

- Remove the snap-ring from the two baseplate halves. Determine if the extra space should be located on the top or the bottom of the block.
- The baseplate halves are marked with Top/Bottom for recommend installation orientation. Please use proper judgement to determine if this is the correct positioning for hose spigot usability.



2. Install the block

- Separate the two baseplate halves and snap them together around the hose spigot pipe.
- If a larger hole is needed, cut a hole 1/4" larger than pipe diameter and match the contour of the pipe.
- Use appropriate fasteners in the slots at the four corners, and in the two holes near the joining line (to mechanically attach the upper and lower baseplates).
- Use flashing tape around perimeter of the block.



3. Install Siding

- When installing siding around the block leave a minimum of a 1/4" gap around the edge of the block to allow for expansion and contraction.
- Note: Pontiac Trail Mounting blocks have spacer tabs to help ensure siding cuts aren't too close to the block (this allows for faster installation of the snap-ring).

4. Finishing

- Attach the snap-ring by pressing it onto the block until the outside edge of the snap-ring nears the siding.

Split Block: Installing around a receptacle

1. Block Preparation

- Remove the snap-ring from the two baseplate halves.
- The baseplate has a score line for the typical receptacle. Measure the receptacle to double check this size is adequate. Once confirmed, cut along the score line creating a rectangular opening.

2. Install the block

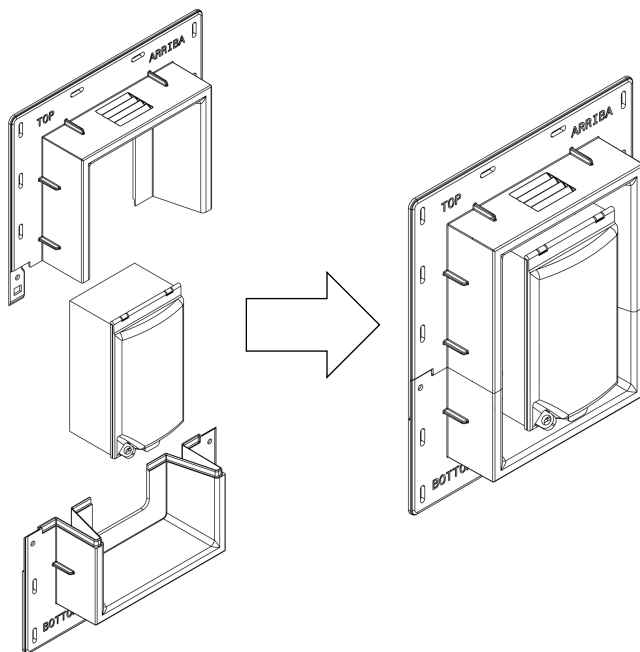
- Separate the two baseplate halves and attach them around the receptacle. The baseplate halves are marked with Top/Bottom for recommend installation orientation.
- Use appropriate fasteners in the slots at the four corners, and in the two holes near the joining line (to mechanically attach the upper and lower baseplates).
- Use flashing tape around perimeter of the block.

3. Install Siding

- When installing siding around the block leave approximately a 1/8" - 3/8" gap around the edge of the block to allow for expansion and contraction.
- Note: Pontiac Trail Mounting blocks have spacer tabs to help ensure siding cuts aren't too close to the block (this allows for faster installation of the snap ring).

4. Finishing

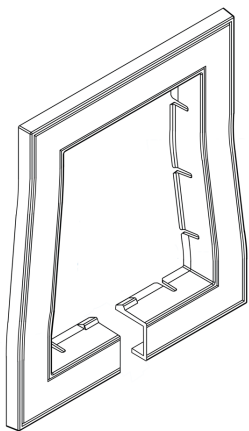
- Attach the snap-ring by pressing it onto the block until the outside edge of the snap-ring nears the siding.



Split Block: Installing around an AC line

1. Block Preparation

- Remove the snap-ring from the two baseplate halves. The baseplate halves are marked with Top/Bottom for recommend installation orientation.
- Cut the snap-ring along the score line (through the snap-fit tooth) allowing the snap-ring to install over the AC line.



2. Install the block

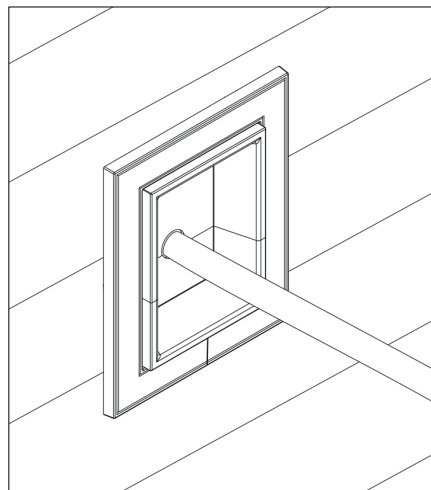
- Separate the two baseplate halves and snap them together around the AC line.
 - If a larger hole is needed, cut a hole 1/4" larger than line diameter and match the contour of the line.
- Use appropriate fasteners in the slots at the four corners, and in the two holes near the joining line (to mechanically attach the upper and lower baseplates).
- Use flashing tape around perimeter of the block.

3. Install Siding

- When installing siding around the block leave approximately a 3/8" gap between the edge of the block to allow for expansion and contraction.
- Note: Pontiac Trail Mounting blocks have spacer tabs to help ensure siding cuts aren't too close to the block (this allows for faster installation of the snap-ring).

4. Finishing

- After siding is installed around the block, attach the snap ring. Insert the AC line into the snap-ring via the cut made in the prep stage.
- Place a small bead of caulk/adhesive on the cut tooth section to bond the snap-ring to the baseplate.
- Push the snap-ring onto the block until the outer edge touches the siding.



4" Hooded Vent – New Siding

The Pontiac Trail 4" hooded vent is designed to be used in exhaust applications only. The vent consists of four pieces: the metal tube, baseplate, faceplate, and flapper.

1. Vent Preparation

- Remove the faceplate from the baseplate.
- Double check that the flapper is correctly installed into the baseplate.
- Install the metal tube into the receiver on the backside of the baseplate.

2. Install the vent

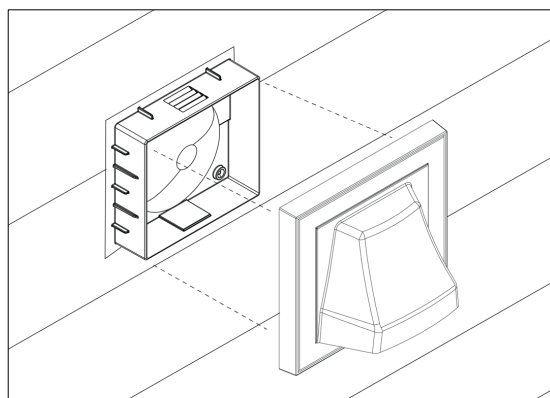
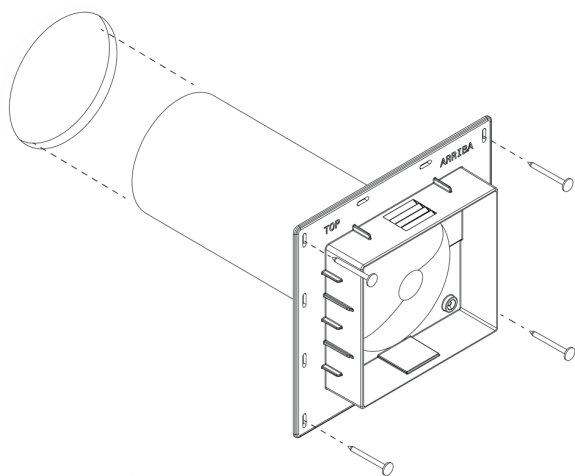
- Cut a hole approximately 4.125" into the wall (or use existing hole).
- Insert the metal tube (which is attached to the baseplate) into the hole.
- Ensure the baseplate is setting level on the wall.
- Use fasteners in the four corners
 - At least two of the fasteners should penetrate into a framing member (additional slots are available if the corners do not hit framing).
 - Fasteners must penetrate past the sheathing by a minimum of $\frac{3}{4}$ ".
- Use flashing tape around perimeter of the block.

3. Install Siding

- When installing siding around the block leave approximately a $\frac{1}{8}$ " - $\frac{3}{8}$ " gap between the edge of the block to allow for expansion and contraction.
- Note: Pontiac Trail Mounting blocks have spacer tabs to help ensure siding cuts aren't too close to the block (this allows for faster installation of the snap ring).

4. Finishing

- Attach the snap-ring by pressing it onto the block until the outside edge of the snap-ring nears the siding.



General Shutter Guidelines

General Fastening Requirements:

- If the shutter is 51" or larger place two additional fasteners in the center of the shutter to prevent bowing.
- Recommended pilot hole size:
 - Shutter plugs require a 1/4" pilot hole.
 - Screws & Caps require a 1/8" pilot hole.
 - The hole depth should be approximately 2" into the wall.

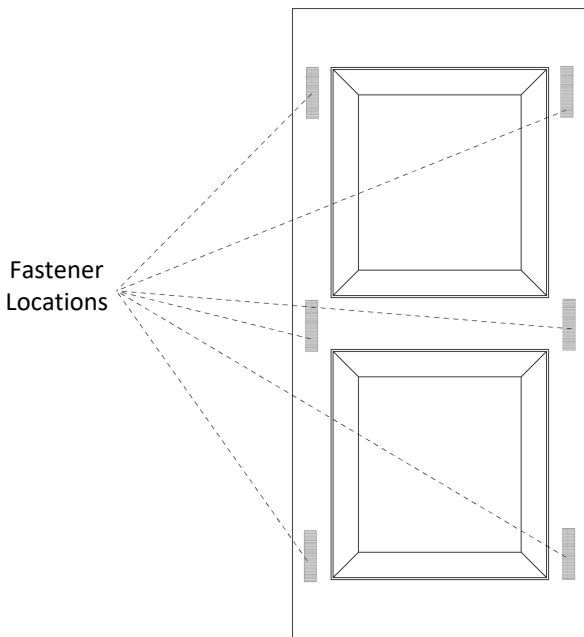
Factors to consider when selecting a fastener (Shutter Plugs or Screws):

- Shutter Plugs
 - Shutter Plugs allow for more expansion and contraction.
 - Shutter Plugs are the preferred installation method for Open Louver and Raised Panel shutters.
 - Shutter plugs are the preferred installation method when face mounting Board & Batten shutters.
 - Shutter plugs can be installed into brick mortar.
- Screws & Caps
 - The Board & Batten shutter has hidden slots for screws. Screws are preferred for Board & Batten.
 - Wall anchors are required if screws are used in brick or masonry applications.

Installing Raised Panel & Open Louver Shutters

1. Shutter Preparation

- Position the shutter next to the window and mark the location on the top and bottom of the shutter where fasteners will be installed.
 - Place the fastener 3-8" away from the top and bottom edge.
 - For siding, place the fastener in the section that furthest protrudes from the wall. For brick, attach into the mortar joint.
- Remember: If the shutter is 51" or larger, place two additional fasteners in the middle of the shutter.

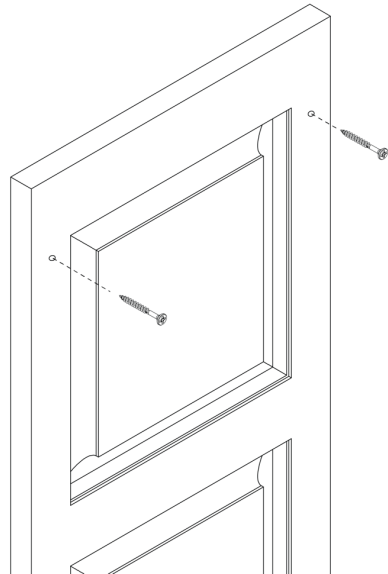


2. Pre-drill fastener holes into the shutter.

- Ensure the hole is marked in the center of each side rail.
- Select the correct drill bit for the respective fastener type (1/4" for shutter plugs, 1/8" for screws).
- Drill holes.

3. Attach Shutter to the wall

- This step is much easier with two people (one person holding the shutter, and the other installing).
- Drill a hole into the wall.
- Tighten screws or tap plugs with a hammer until just touching the surface of the shutter. Shutters need room to expand and contract, do not over tighten the fasteners.



Installing Board & Batten Shutters

1: Select fastener type

- Remove the battens and position the shutter on the wall next to the window.
- Determine if it is appropriate to place screws into the attachment slots.
 - If using screws, skip step 2.
- Shutters will have two or three battens. Two batten shutters will require 4 fasteners, three batten shutters will require 6 fasteners.

2. (Optional) Surface mounting prep

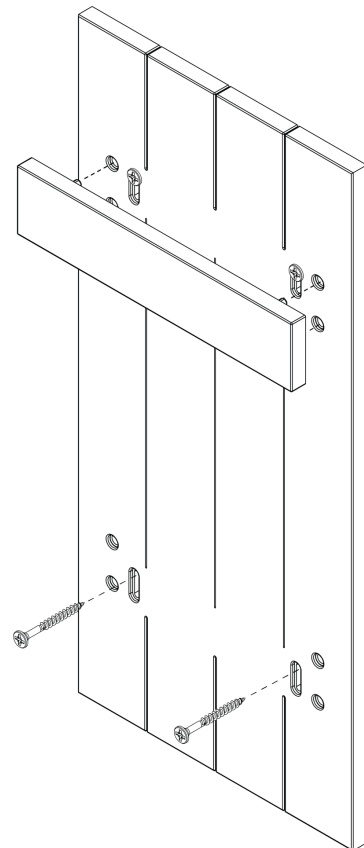
- Identify the locations to face mount the shutter.
 - Place the fastener 3-8" away from the top and bottom edge.
 - For siding, place the fastener in the section that furthest protrudes from the wall. For brick, attach into the mortar.
- Pre-drill fastener holes into the shutter.

3. Attach Shutter to Wall

- Pre-drill fastener pilot holes where necessary.
- Tighten screws or tap plugs with a hammer until just touching the surface of the shutter. Shutters need room to expand and contract, do not over tighten the fasteners.
- If using screws and caps, snap the caps into place over the surface of each screw.
 - Caps are not necessary if screws are used behind the batten.

4. Attach the battens to the shutter base

- Press-fit the battens onto each shutter.



CAUTION:

Please review and follow the paint and primer manufacturer's recommendations regarding priming and painting plastic regarding surface paint type, preparation, coverage, application methods and application temperature.

1. Paint Selection:

- Select a primer and paint compatible with polypropylene (PP).
- Shutters must be primed.
- Use a premium 100% acrylic exterior latex paint.

2. Product Preparation:

- Do not expose the product to direct sunlight before, during, or immediately after painting.
- Ensure the product is clean, dry and free of any dust, dirt, or mildew. If a cleaning agent is used allow the shutters to completely dry (at least 1 hour).*

3. Painting the Product

- Paint and primer can be applied with a brush or spray, follow paint manufacturer's recommendations.
- Apply primer.
- Apply two coats of finish paint.
- Paint drying time will vary due to weather conditions, temperature, and humidity. It may feel dry to the touch, but will not be completely cured for 7-14 days. Do not attempt to peel or scratch the paint until completely cured.

* Please follow any and all recommendations from the paint and primer manufacturer.